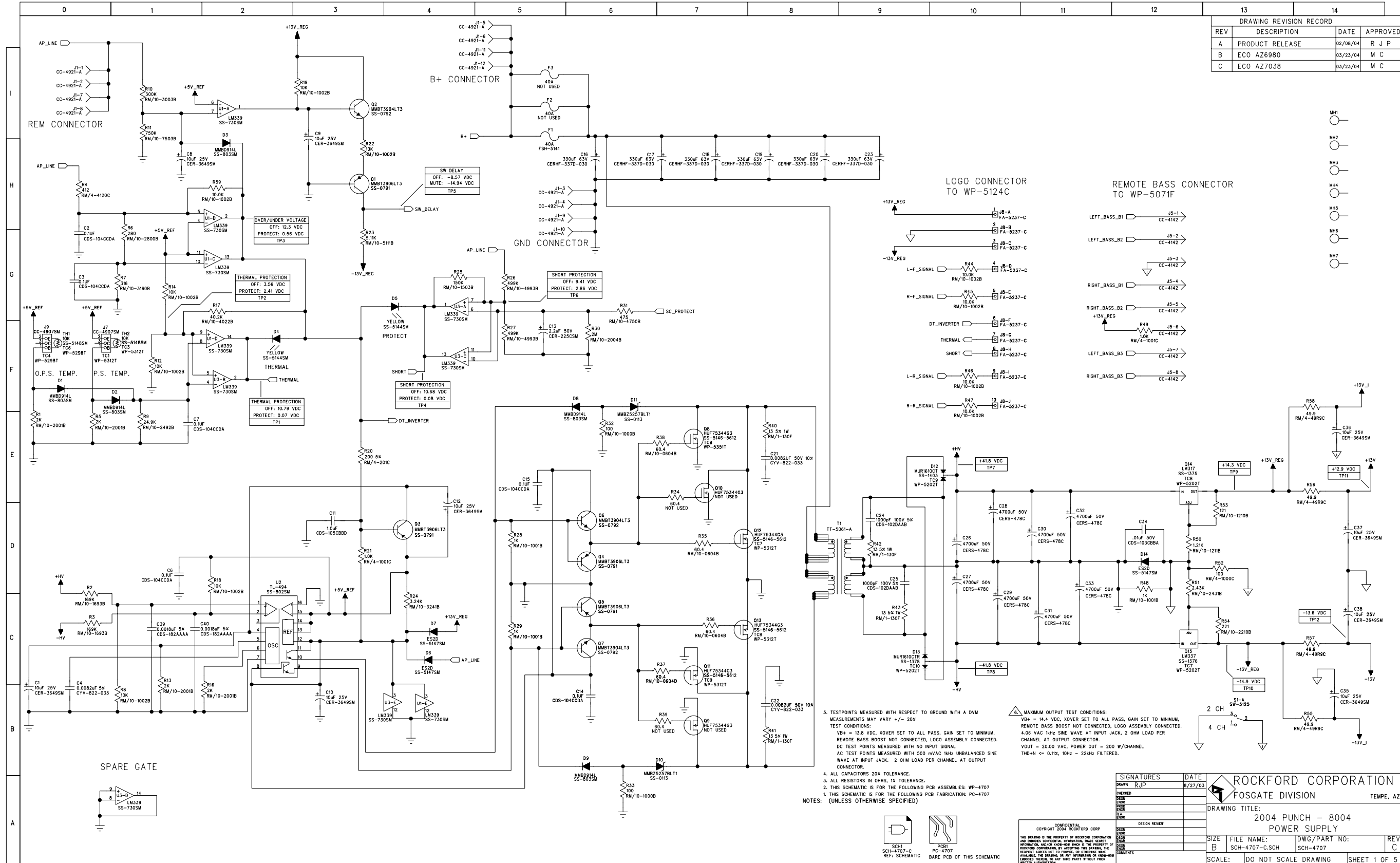


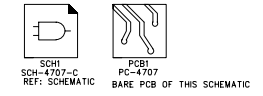
DRAWING REVISION RECORD			
REV	DESCRIPTION	DATE	APPROVED
A	PRODUCT RELEASE	02/08/04	R J P
B	ECO AZ6980	03/23/04	M C
C	ECO AZ7038	03/23/04	M C



5. TESTPOINTS MEASURED WITH RESPECT TO GROUND WITH A DVM
MEASUREMENTS MAY VARY +/- 20%
TEST CONDITIONS:
VB+ = 13.8 VDC, XOVER SET TO ALL PASS, GAIN SET TO MINIMUM,
REMOTE BASS BOOST NOT CONNECTED, LOGO ASSEMBLY CONNECTED.
DC TEST POINTS MEASURED WITH NO INPUT SIGNAL
AC TEST POINTS MEASURED WITH 500 mVAC 1kHz UNBALANCED SINE
WAVE AT INPUT JACK. 2 OHM LOAD PER CHANNEL AT OUTPUT
CONNECTOR.
4. ALL CAPACITORS 20% TOLERANCE.
3. ALL RESISTORS IN OHMS, 1% TOLERANCE.
2. THIS SCHEMATIC IS FOR THE FOLLOWING PCB ASSEMBLIES: WP-4707
1. THIS SCHEMATIC IS FOR THE FOLLOWING PCB FABRICATION: PC-4707
NOTES: (UNLESS OTHERWISE SPECIFIED)

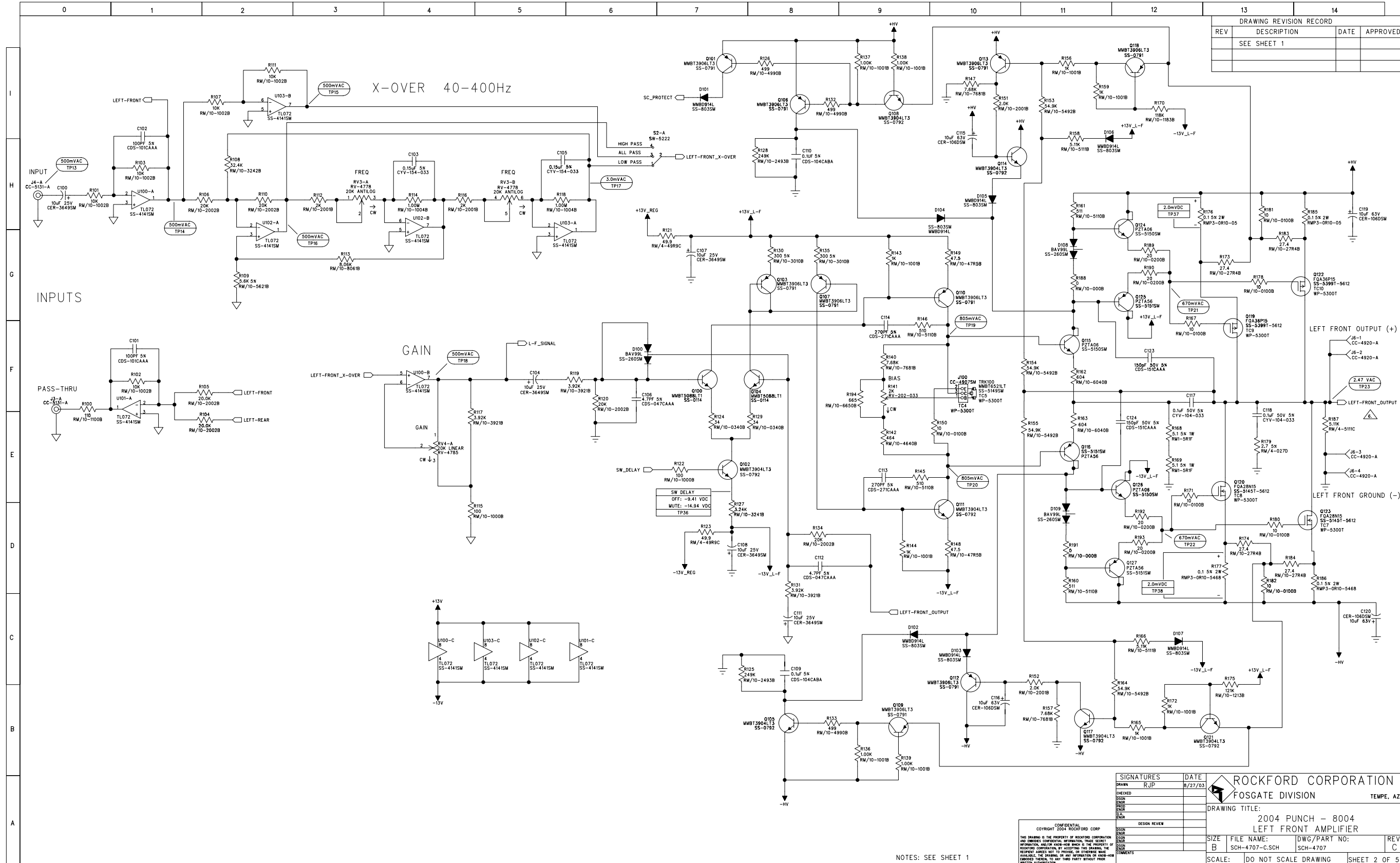
MAXIMUM OUTPUT TEST CONDITIONS:
VB+ = 14.4 VDC, XOVER SET TO ALL PASS, GAIN SET TO MINIMUM,
REMOTE BASS BOOST NOT CONNECTED, LOGO ASSEMBLY CONNECTED.
4.06 VAC 1kHz SINE WAVE AT INPUT JACK, 2 OHM LOAD PER
CHANNEL AT OUTPUT CONNECTOR.
VOUT = 20.00 VAC, POWER OUT = 200 W/CHANNEL
THD+N <= 0.1%, 10Hz - 22kHz FILTERED.

SIGNATURES		DATE	ROCKFORD CORPORATION FOSGATE DIVISION TEMPE, AZ
DRAWN	RJP	8/27/03	
CHECKED			DRAWING TITLE: 2004 PUNCH - 8004 POWER SUPPLY
DESIGN			
DATE			SIZE FILE NAME: [DWG/PART NO:] B SCH-4707-C.SCH SCH-4707
SCALE:	DO NOT SCALE DRAWING	SHEET 1 OF 5	



CONFIDENTIAL
 COPYRIGHT 2004 ROCKFORD CORP.
 THIS DRAWING IS THE PROPERTY OF ROCKFORD CORPORATION
 AND SHOULD BE KEPT CONFIDENTIAL. IT IS NOT TO BE
 REPRODUCED, COPIED, OR TRANSMITTED IN ANY FORM OR
 BY ANY MEANS, ELECTRONIC OR MECHANICAL, INCLUDING
 PHOTOCOPYING, RECORDING, OR BY ANY INFORMATION
 STORAGE AND RETRIEVAL SYSTEM, WITHOUT THE WRITTEN
 PERMISSION OF ROCKFORD CORPORATION.

DRAWING REVISION RECORD			
REV	DESCRIPTION	DATE	APPROVED
1	SEE SHEET 1		

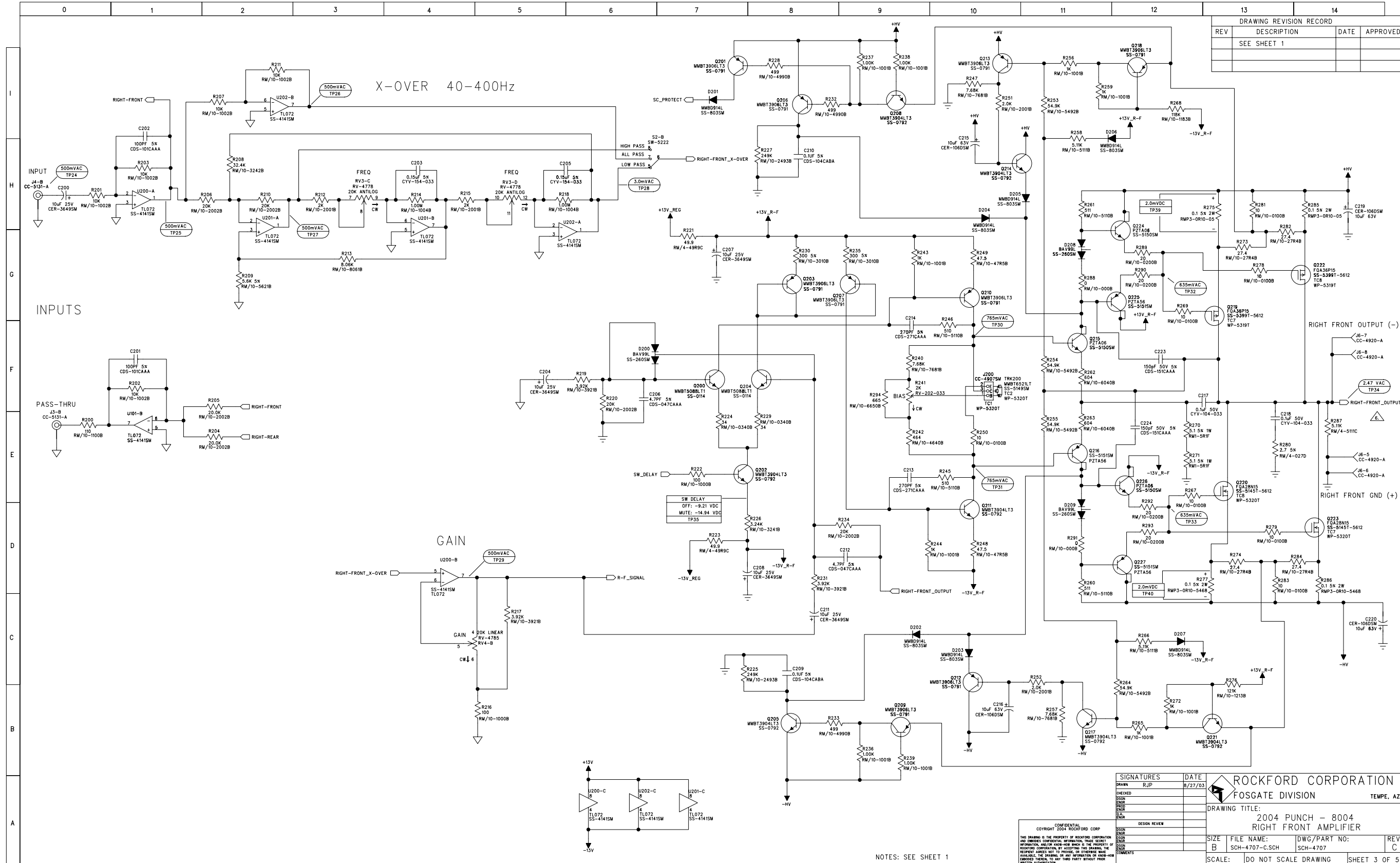


SIGNATURES		DATE	ROCKFORD CORPORATION	
DRAWN RJP		8/27/03	FOSGATE DIVISION	
CHECKED			TEMPE, AZ	
DESIGN			DRAWING TITLE:	
ELECT			2004 PUNCH - 8004	
TEST			LEFT FRONT AMPLIFIER	
REWORK			SIZE FILE NAME: DWG/PART NO:	
			B SCH-4707-C.CSH SCH-4707	
			SCALE: DO NOT SCALE DRAWING	
			SHEET 2 OF 5	

NOTES: SEE SHEET 1

CONFIDENTIAL
 COPYRIGHT 2004 ROCKFORD CORP.
 THIS DRAWING IS THE PROPERTY OF ROCKFORD CORPORATION AND CONTAINS CONFIDENTIAL INFORMATION. THIS DOCUMENT IS UNCLASSIFIED AND PUBLIC RELEASE FROM 03-08-2001. ANY REPRODUCTION OF THIS DOCUMENT WITHOUT THE WRITTEN PERMISSION OF ROCKFORD CORPORATION IS PROHIBITED. ANY REPRODUCTION OF THIS DOCUMENT WITHOUT THE WRITTEN PERMISSION OF ROCKFORD CORPORATION IS PROHIBITED.

DRAWING REVISION RECORD			
REV	DESCRIPTION	DATE	APPROVED
SEE SHEET 1			



X-OVER 40-400Hz

INPUTS

GAIN

RIGHT FRONT OUTPUT (-)

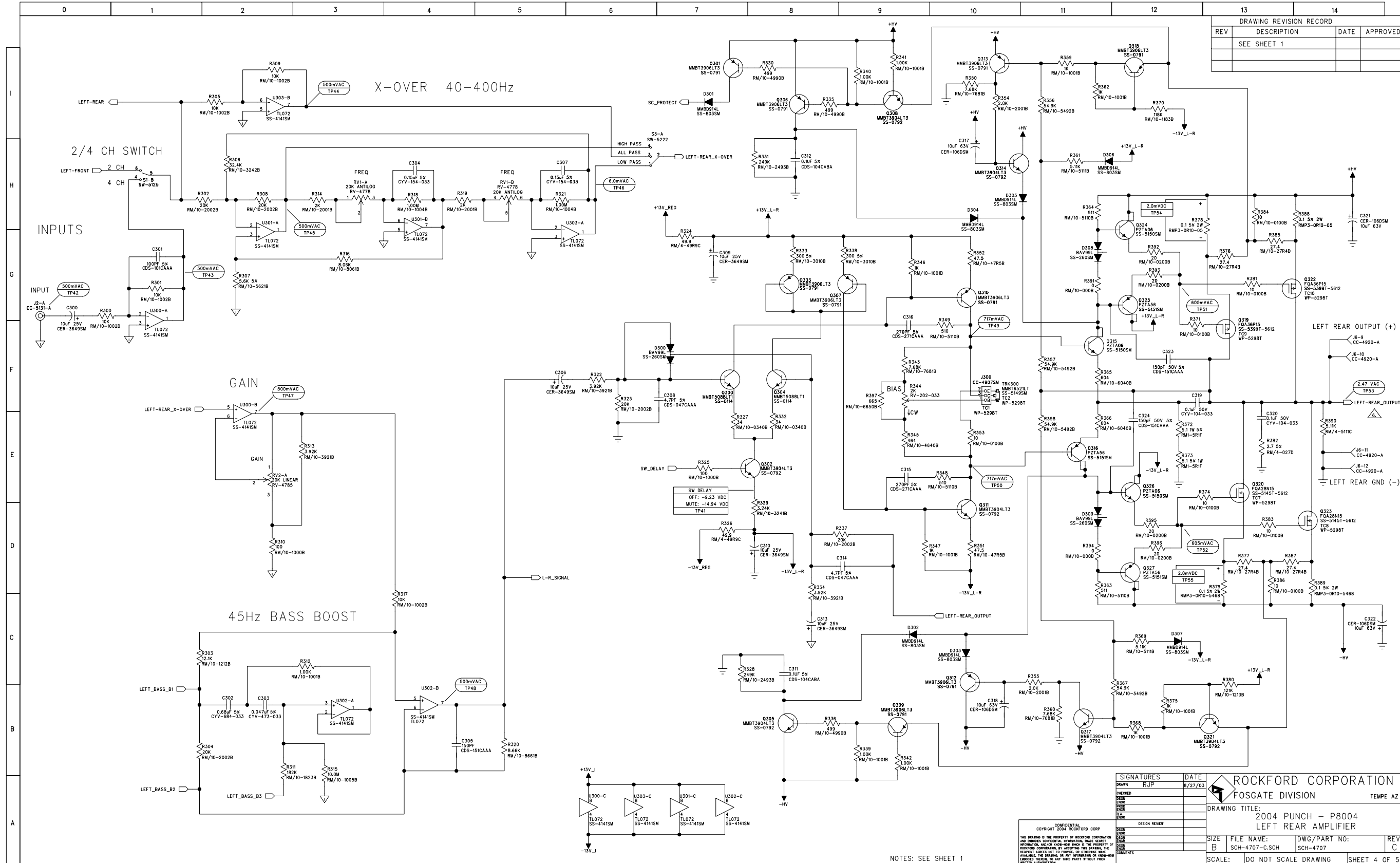
RIGHT FRONT GND (+)

SIGNATURES		DATE	ROCKFORD CORPORATION FOSGATE DIVISION TEMPE, AZ
DRAWN	RJP	8/27/03	
CHECKED			DRAWING TITLE: 2004 PUNCH - 8004 RIGHT FRONT AMPLIFIER
DESIGN			
TEST			
REWORK			
SIZE FILE NAME: DWG/PART NO: REV B SCH-4707-C.SCH SCH-4707 C			SCALE: DO NOT SCALE DRAWING SHEET 3 OF 5

NOTES: SEE SHEET 1

CONFIDENTIAL
 COPYRIGHT 2004 ROCKFORD CORP.
 THIS DRAWING IS THE PROPERTY OF ROCKFORD CORPORATION AND CONTAINS CONFIDENTIAL INFORMATION. THIS DOCUMENT IS UNCLASSIFIED AND IS NOT TO BE REPRODUCED OR DISSEMINATED IN ANY MANNER WITHOUT THE WRITTEN PERMISSION OF ROCKFORD CORPORATION. ANY UNAUTHORIZED REPRODUCTION OR DISSEMINATION OF THIS DOCUMENT IS PROHIBITED AND WILL BE PROSECUTED TO THE FULL EXTENT OF THE LAW.

DRAWING REVISION RECORD			
REV	DESCRIPTION	DATE	APPROVED
1	SEE SHEET 1		

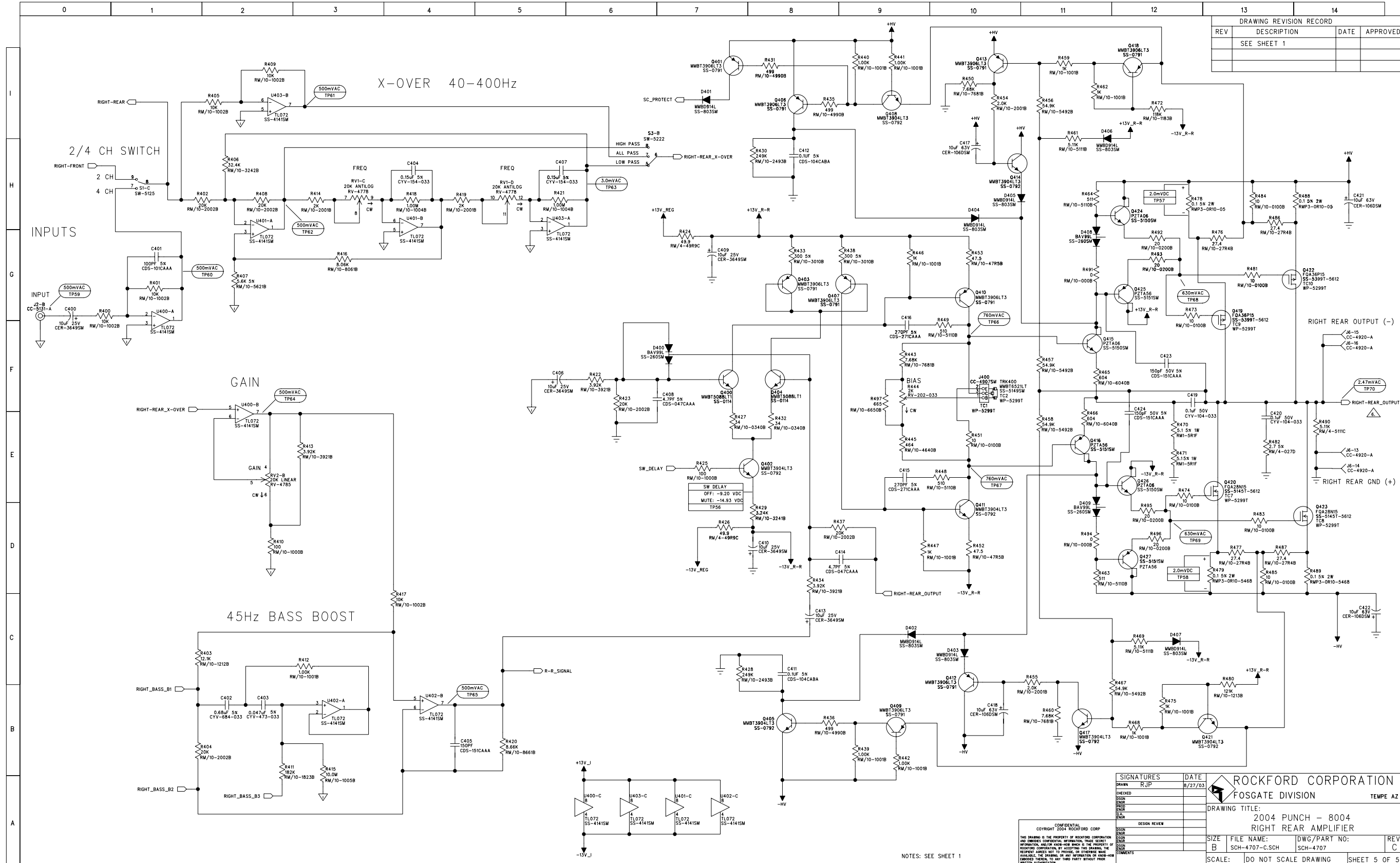


SIGNATURES		DATE	ROCKFORD CORPORATION FOSGATE DIVISION TEMPE AZ
DRAWN	RJP	8/27/03	
CHECKED			DRAWING TITLE: 2004 PUNCH - P8004 LEFT REAR AMPLIFIER
DESIGN			
TEST			
ASSEMBLY			
SIZE FILE NAME: DWG/PART NO: REV B SCH-4707-C.SCH SCH-4707 C			SCALE: DO NOT SCALE DRAWING SHEET 4 OF 5

NOTES: SEE SHEET 1

THIS DRAWING IS THE PROPERTY OF ROCKFORD CORPORATION AND IS UNCLASSIFIED INFORMATION. THIS DOCUMENT CONTAINS CONFIDENTIAL INFORMATION. THE REPRODUCING, DISTRIBUTION, OR DISSEMINATION OF THIS INFORMATION IS PROHIBITED WITHOUT THE WRITTEN PERMISSION OF ROCKFORD CORPORATION. ANY UNAUTHORIZED DISSEMINATION OF THIS INFORMATION IS PROHIBITED AND WILL BE PROSECUTED TO THE FULL EXTENT OF THE LAW.

DRAWING REVISION RECORD			
REV	DESCRIPTION	DATE	APPROVED
1	SEE SHEET 1		



SIGNATURES		DATE	ROCKFORD CORPORATION	
DRAWN RJP		8/27/03	FOSGATE DIVISION	
CHECKED			TEMPE AZ	
DESIGN			DRAWING TITLE:	
ELECT			2004 PUNCH - 8004	
TEST			RIGHT REAR AMPLIFIER	
REWORK			SIZE FILE NAME: [DWG/PART NO:]	
			SCH-4707-C.SCH SCH-4707	
			SCALE: DO NOT SCALE DRAWING	
			SHEET 5 OF 5	

NOTES: SEE SHEET 1

THIS DRAWING IS THE PROPERTY OF ROCKFORD CORPORATION AND SHOULD BE KEPT IN CONFIDENTIALITY. IT IS TO BE KEPT IN CONFIDENTIALITY AND NOT TO BE REPRODUCED OR TRANSMITTED IN ANY FORM OR BY ANY MEANS, ELECTRONIC OR MECHANICAL, INCLUDING PHOTOCOPYING, RECORDING, OR BY ANY INFORMATION STORAGE AND RETRIEVAL SYSTEM. ANY UNAUTHORIZED REPRODUCTION OR TRANSMISSION OF THIS DRAWING IS STRICTLY PROHIBITED. THE USER AGREES NOT TO PROVIDE, OR OTHERWISE MAKE AVAILABLE, THE DRAWING, OR ANY INFORMATION OR OTHER DOCUMENTS HEREIN, TO ANY THIRD PARTY WITHOUT PRIOR WRITTEN AUTHORIZATION.