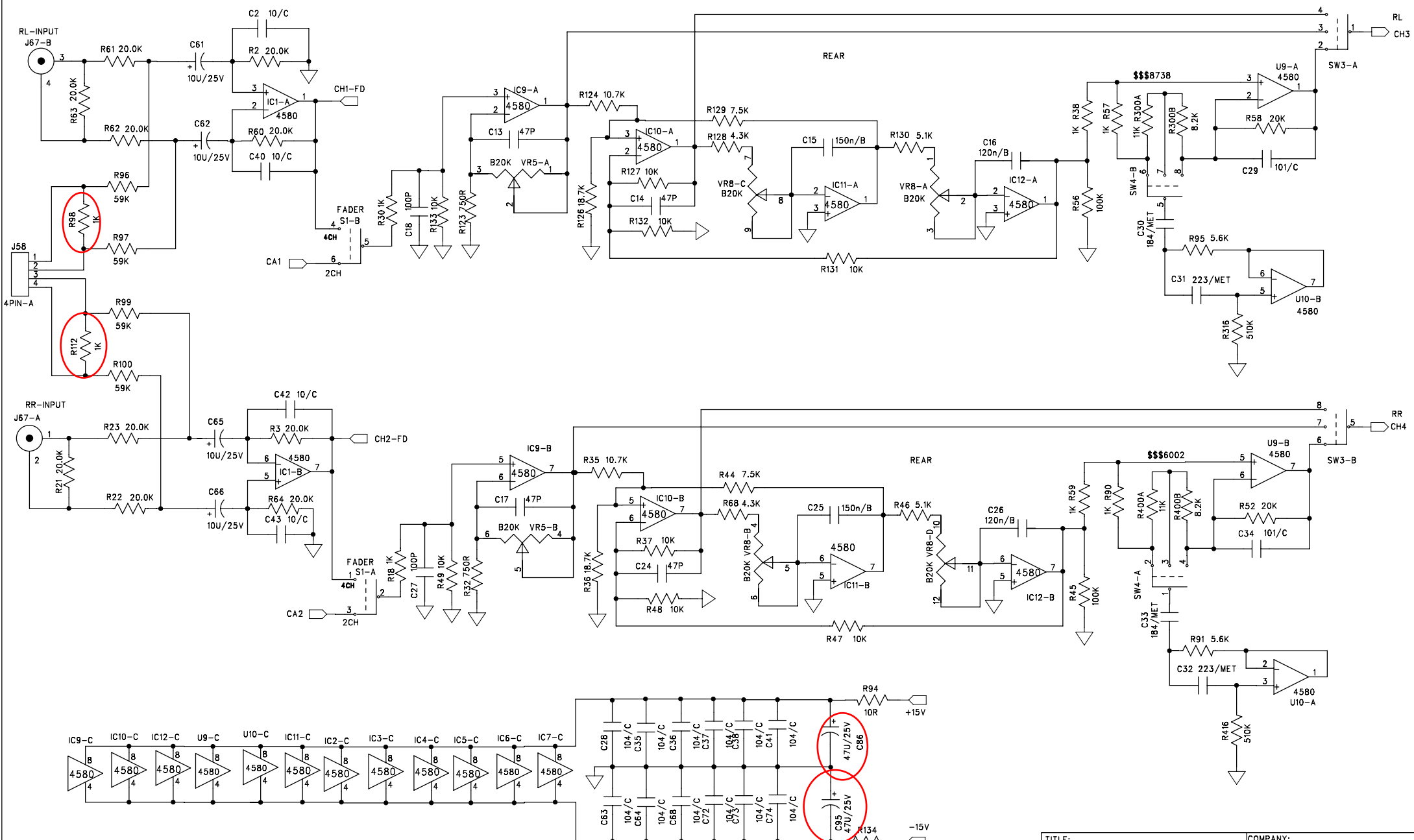
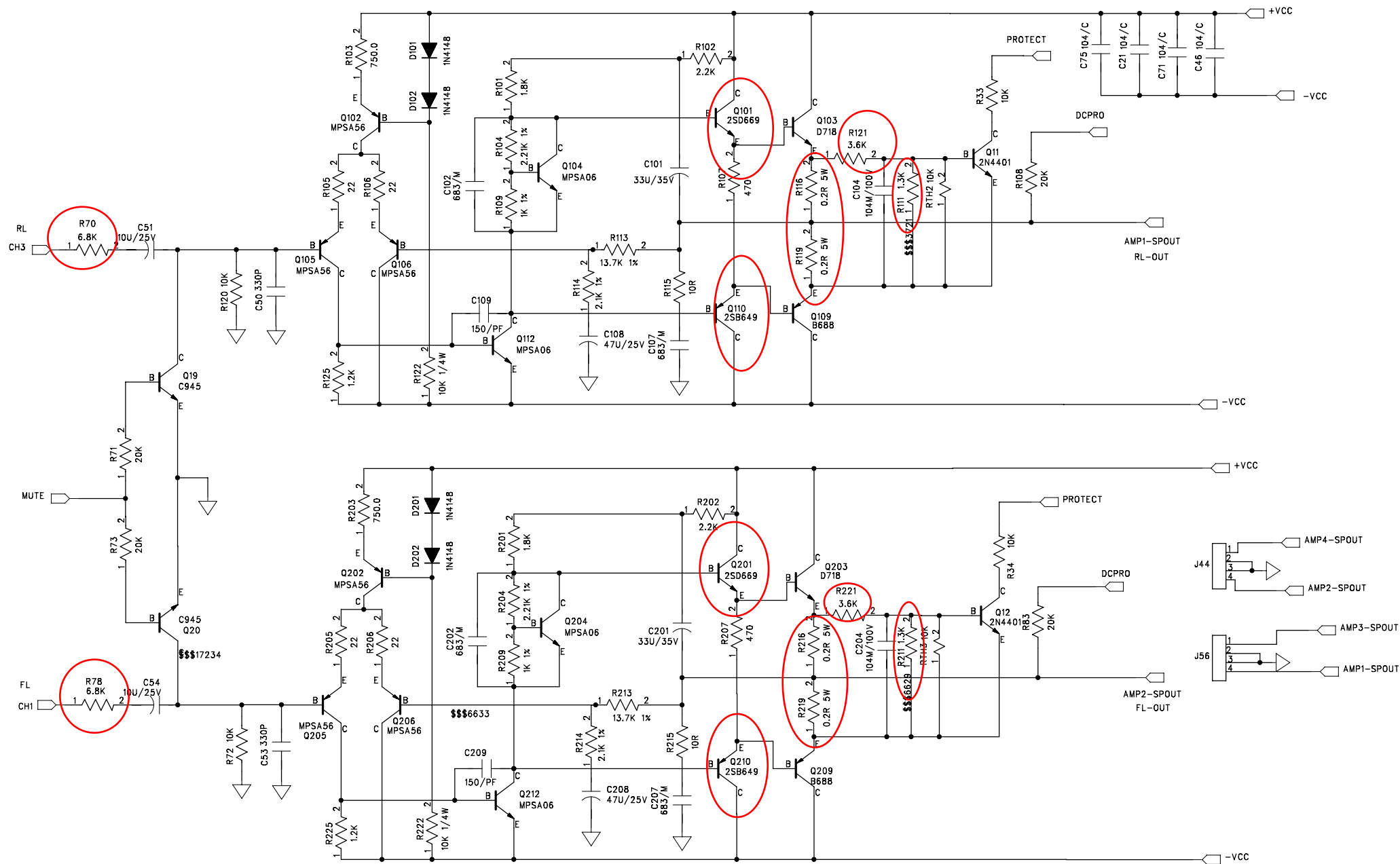


| | | | | |
|-----------------------------|-------------------|--------------------------|------------|-----------|
| TITLE: R300X4 | | COMPANY: ROCKFORD | | |
| DRAWN: | DATED: 2012-10-19 | CHECKED: | DATED: | APPROVED: |
| DWG NO.: R300X4-E-02 | PCB REV:1.1 | REV:A1 | SHEET: 1/6 | |

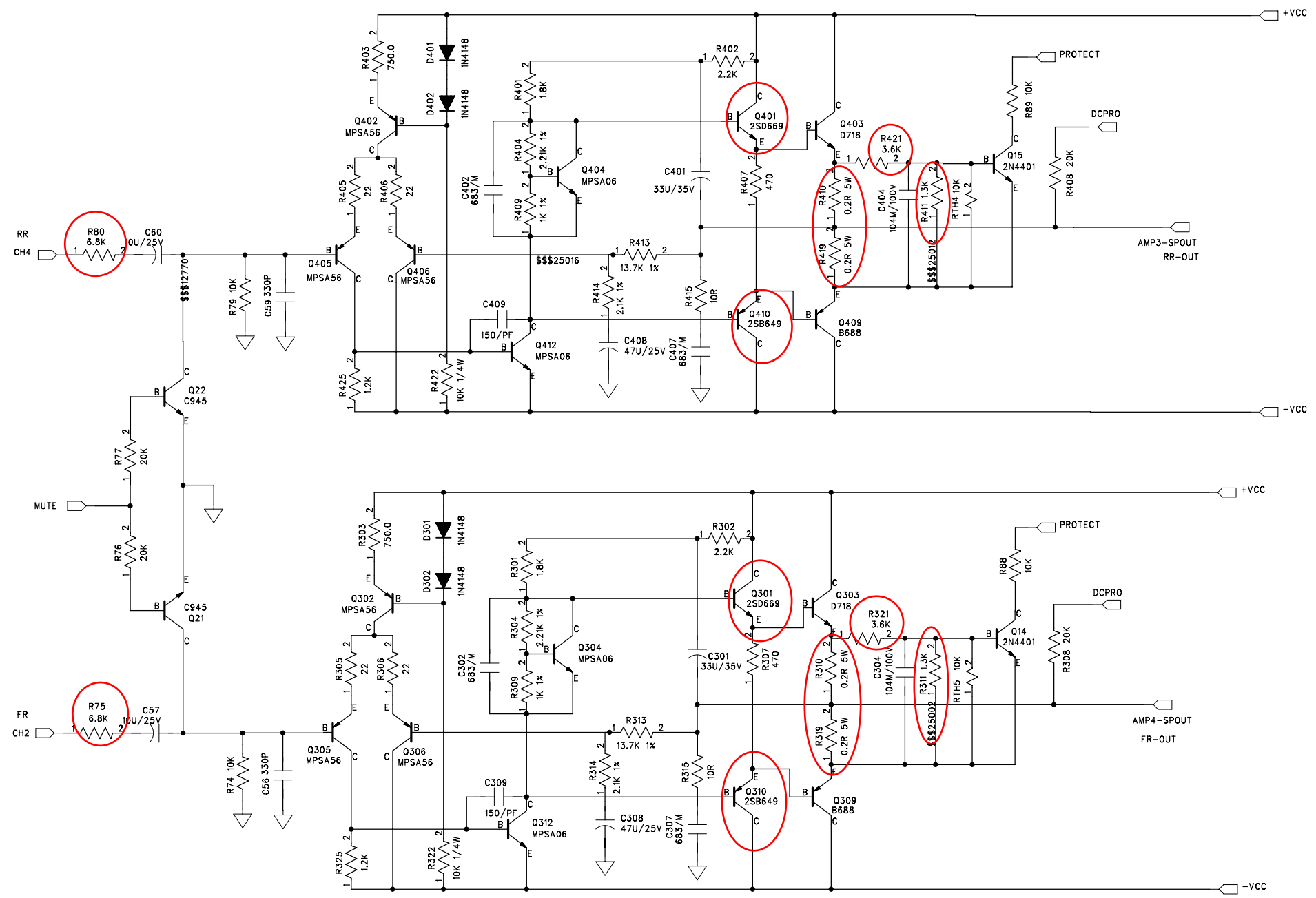


| | | | | | |
|-----------------------------|-------------------|--------------------------|--------|-----------|--------|
| TITLE: R300X4 | | COMPANY: ROCKFORD | | | |
| DRAWN: | DATED: 2012-10-19 | CHECKED: | DATED: | APPROVED: | DATED: |
| DWG NO.: R300X4-E-02 | | PCB REV:1.1 | REV:A1 | SHEET:2/6 | |

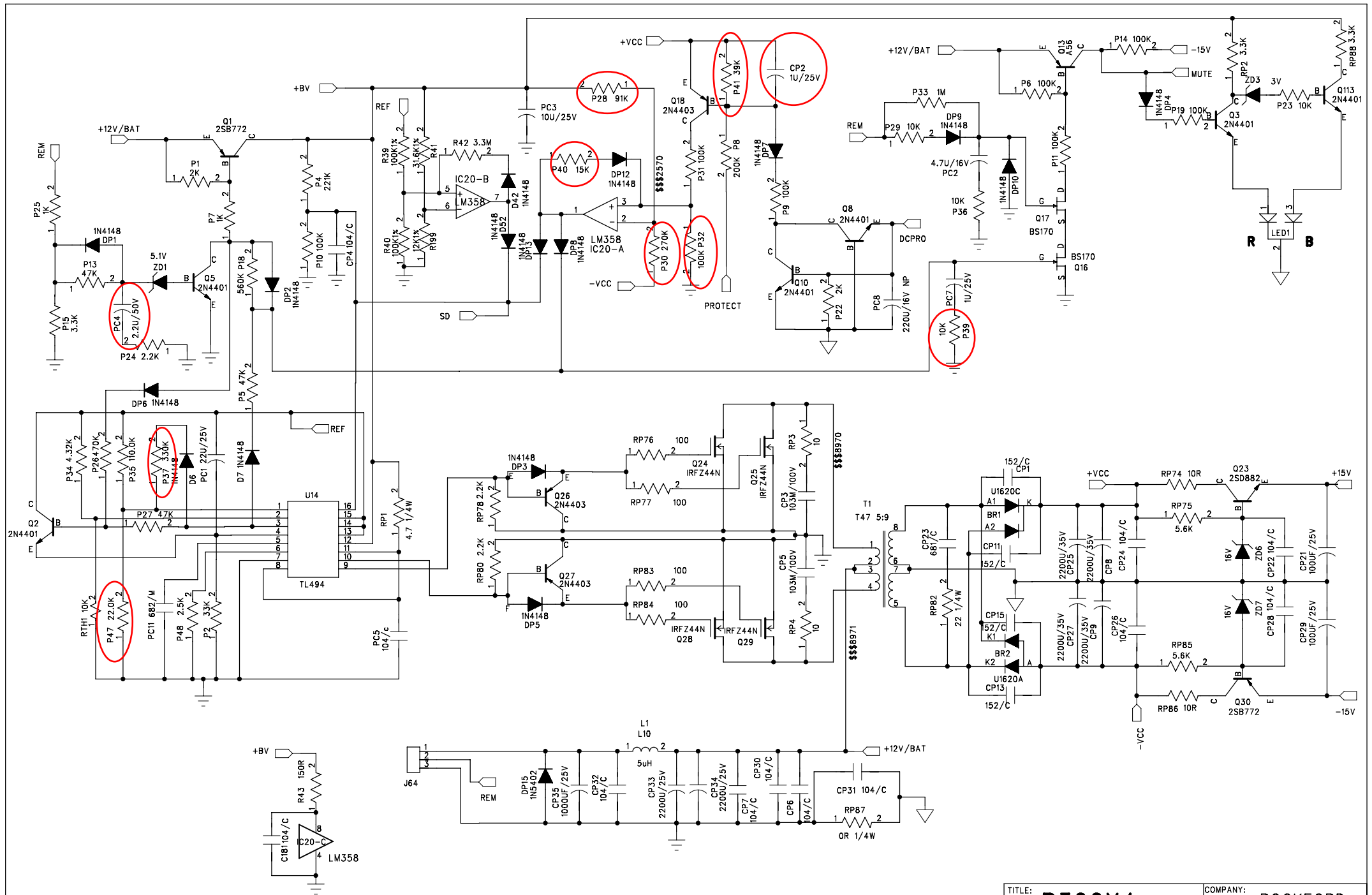
\$\$\$17145



| | | | | | |
|-----------------------------|-------------------|----------|--------------------------|-----------|-----------|
| TITLE: R300X4 | | | COMPANY: ROCKFORD | | |
| DRAWN: | DATED: 2012-10-19 | CHECKED: | DATED: | APPROVED: | DATED: |
| DWG NO.: R300X4-E-02 | | | PCB REV:1.1 | REV:A2 | SHEET:3/6 |



| | | | | | |
|-----------------------------|-------------------|----------|--------------------------|-----------|------------|
| TITLE: R300X4 | | | COMPANY: ROCKFORD | | |
| DRAWN: | DATED: 2012-10-19 | CHECKED: | DATED: | APPROVED: | DATED: |
| DWG NO.: R300X4-E-02 | | | PCB REV.:L1 | REV:A1 | SHEET: 4/6 |



| | | | | |
|-----------------------------|-------------------|--------------------------|------------|-----------|
| TITLE: R300X4 | | COMPANY: ROCKFORD | | |
| DRAWN: | DATED: 2012-10-19 | CHECKED: | DATED: | APPROVED: |
| DWG NO.: R300X4-E-02 | PCB REV:1.1 | REV:A1 | SHEET: 5/6 | |

