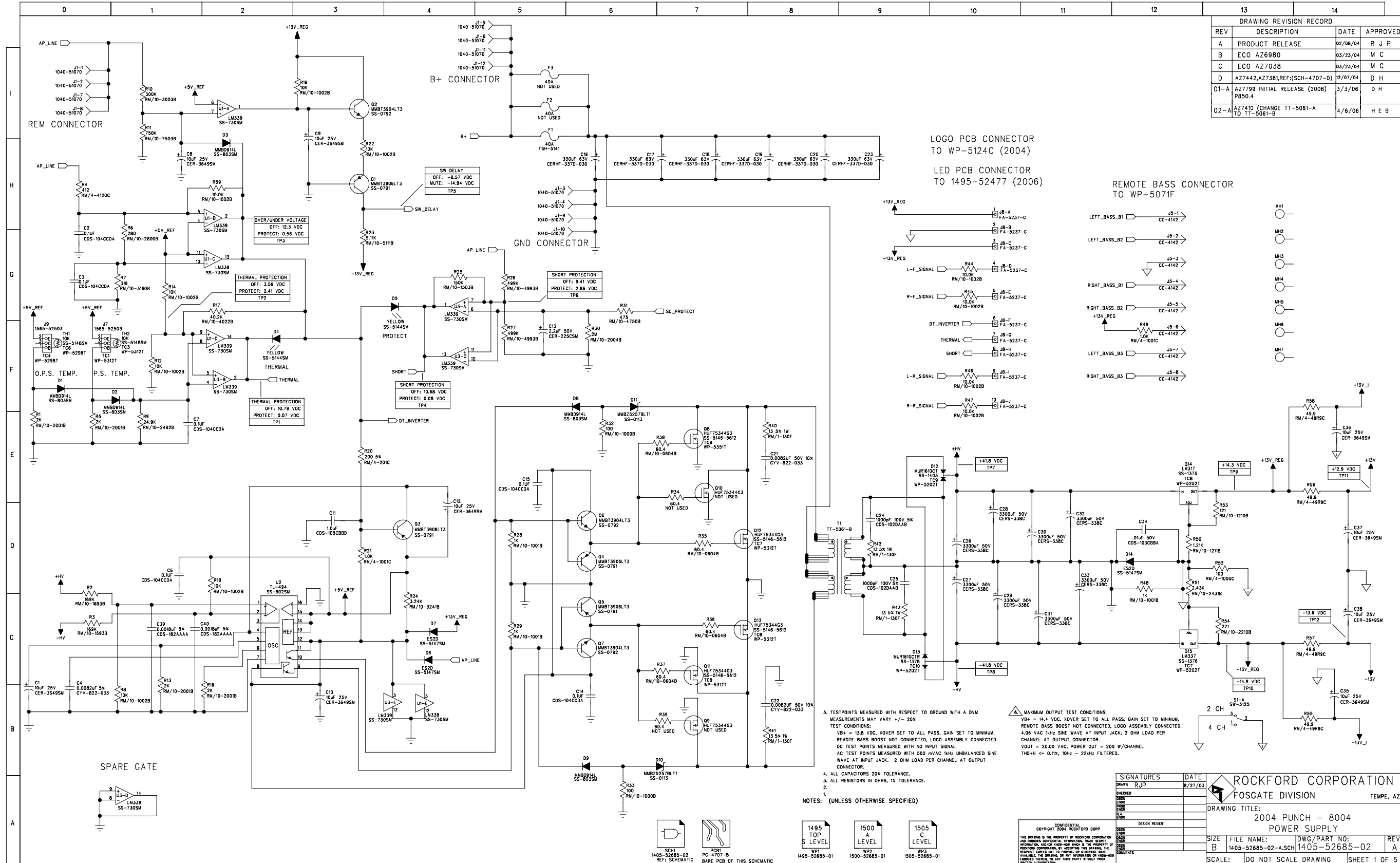
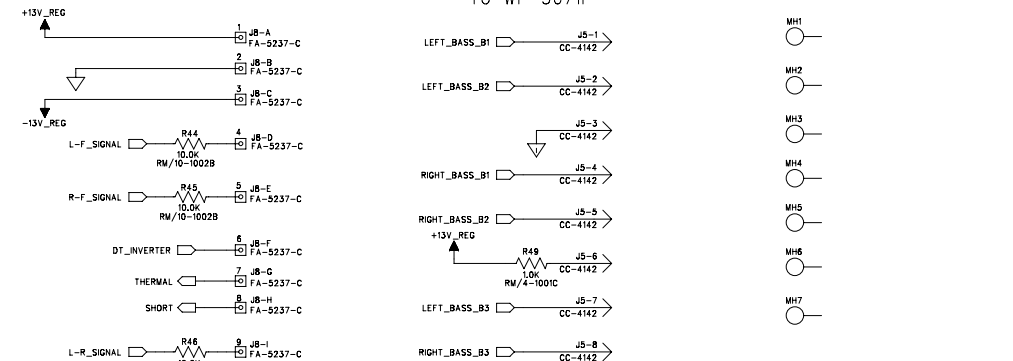


DRAWING REVISION RECORD			
REV	DESCRIPTION	DATE	APPROVED
A	PRODUCT RELEASE	02/08/04	R J P
B	ECO AZ6980	03/23/04	M C
C	ECO AZ7038	03/23/04	M C
D	AZ7442,AZ7381,REF:(SCH-4707-D)	12/07/04	D H
01-A	AZ7799 INITIAL RELEASE (2006) P850.4	3/3/06	D H
02-A	AZ7410 CHANGE TT-5061-A TO TT-5061-B	4/6/06	H E B



LOGO PCB CONNECTOR TO WP-5124C (2004)  
LED PCB CONNECTOR TO 1495-52477 (2006)

REMOTE BASS CONNECTOR TO WP-5071F



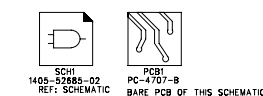
5. TESTPOINTS MEASURED WITH RESPECT TO GROUND WITH A DVM  
MEASUREMENTS MAY VARY +/- 20%  
TEST CONDITIONS:  
VB+ = 13.8 VDC, XOVER SET TO ALL PASS, GAIN SET TO MINIMUM,  
REMOTE BASS BOOST NOT CONNECTED, LOGO ASSEMBLY CONNECTED.  
DC TEST POINTS MEASURED WITH NO INPUT SIGNAL  
AC TEST POINTS MEASURED WITH 500 mVAC 1kHz UNBALANCED SINE  
WAVE AT INPUT JACK. 2 OHM LOAD PER CHANNEL AT OUTPUT  
CONNECTOR.  
4. ALL CAPACITORS 20% TOLERANCE.  
3. ALL RESISTORS IN OHMS, 1% TOLERANCE.  
2.  
1.

NOTES: (UNLESS OTHERWISE SPECIFIED)

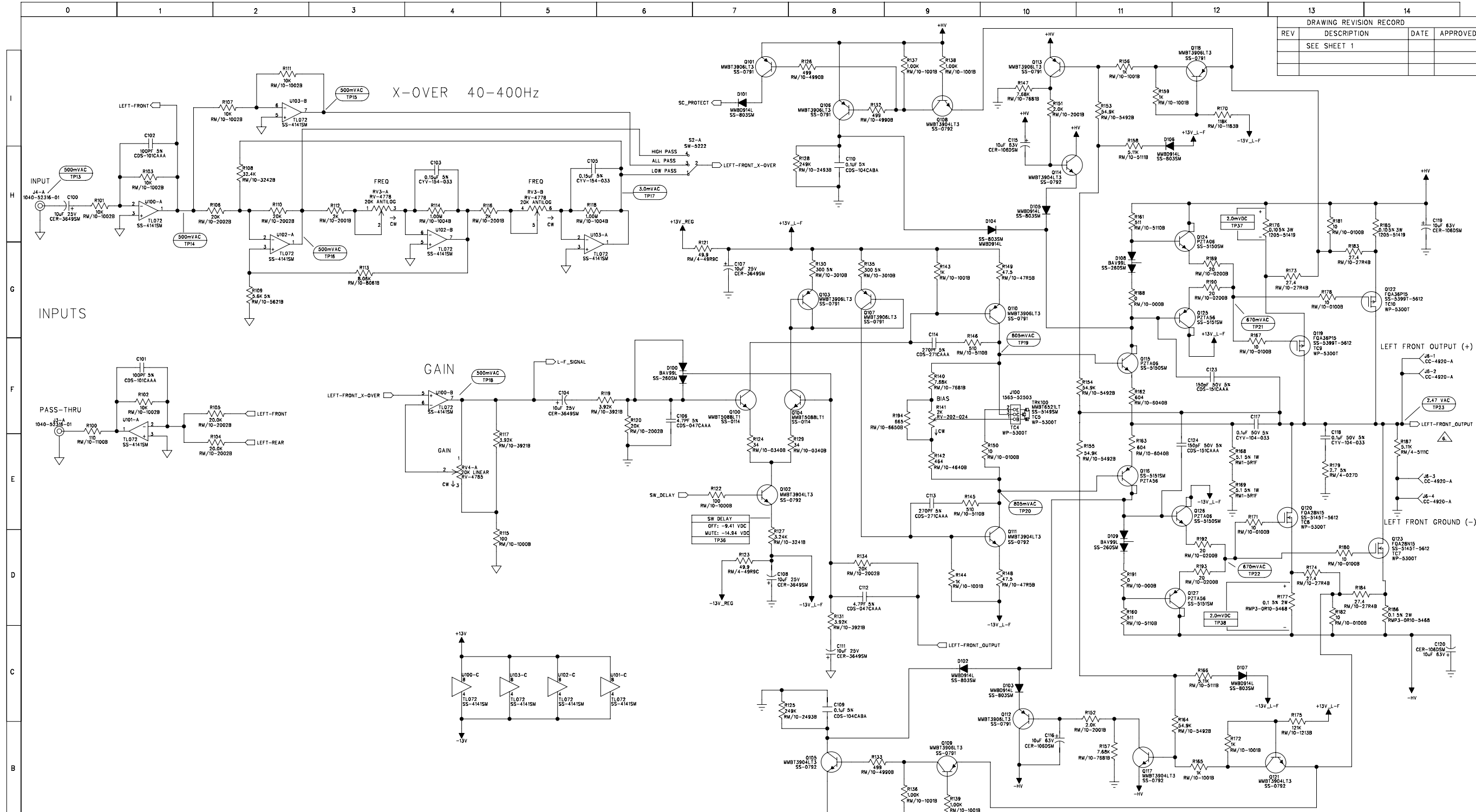
SIGNATURES		DATE	<b>ROCKFORD CORPORATION</b> FOSGATE DIVISION TEMPE, AZ
DRAWN	RJP	8/27/03	
CHECKED			DRAWING TITLE: <b>2004 PUNCH - 8004</b> <b>POWER SUPPLY</b>
DESIGN			
DATE			SIZE FILE NAME: DWG/PART NO: B 1405-52685-02-A.SCH 1405-52685-02
DESIGN			
DATE			SCALE: DO NOT SCALE DRAWING SHEET 1 OF 5
DESIGN			

1495 TOP S LEVEL	1500 A LEVEL	1505 C LEVEL
WP1 1495-52685-01	WP2 1500-52685-01	WP3 1505-52685-01

CONFIDENTIAL  
COPYRIGHT 2004 ROCKFORD CORP.  
THIS DRAWING IS THE PROPERTY OF ROCKFORD CORPORATION  
AND IS NOT TO BE REPRODUCED OR TRANSMITTED IN ANY  
MANNER WITHOUT THE WRITTEN PERMISSION OF ROCKFORD  
CORPORATION. ANY UNAUTHORIZED REPRODUCTION OR  
DISSEMINATION OF THIS DRAWING IS STRICTLY PROHIBITED.  
IF YOU ARE NOT THE ORIGINAL ADDRESSEE OF THIS  
DRAWING, PLEASE NOTIFY THE ORIGINAL ADDRESSEE BY  
RETURNING THIS DRAWING TO THE ORIGINAL ADDRESSEE  
WITHIN 10 BUSINESS DAYS OF THE DATE OF RECEIPT.



DRAWING REVISION RECORD			
REV	DESCRIPTION	DATE	APPROVED
SEE SHEET 1			

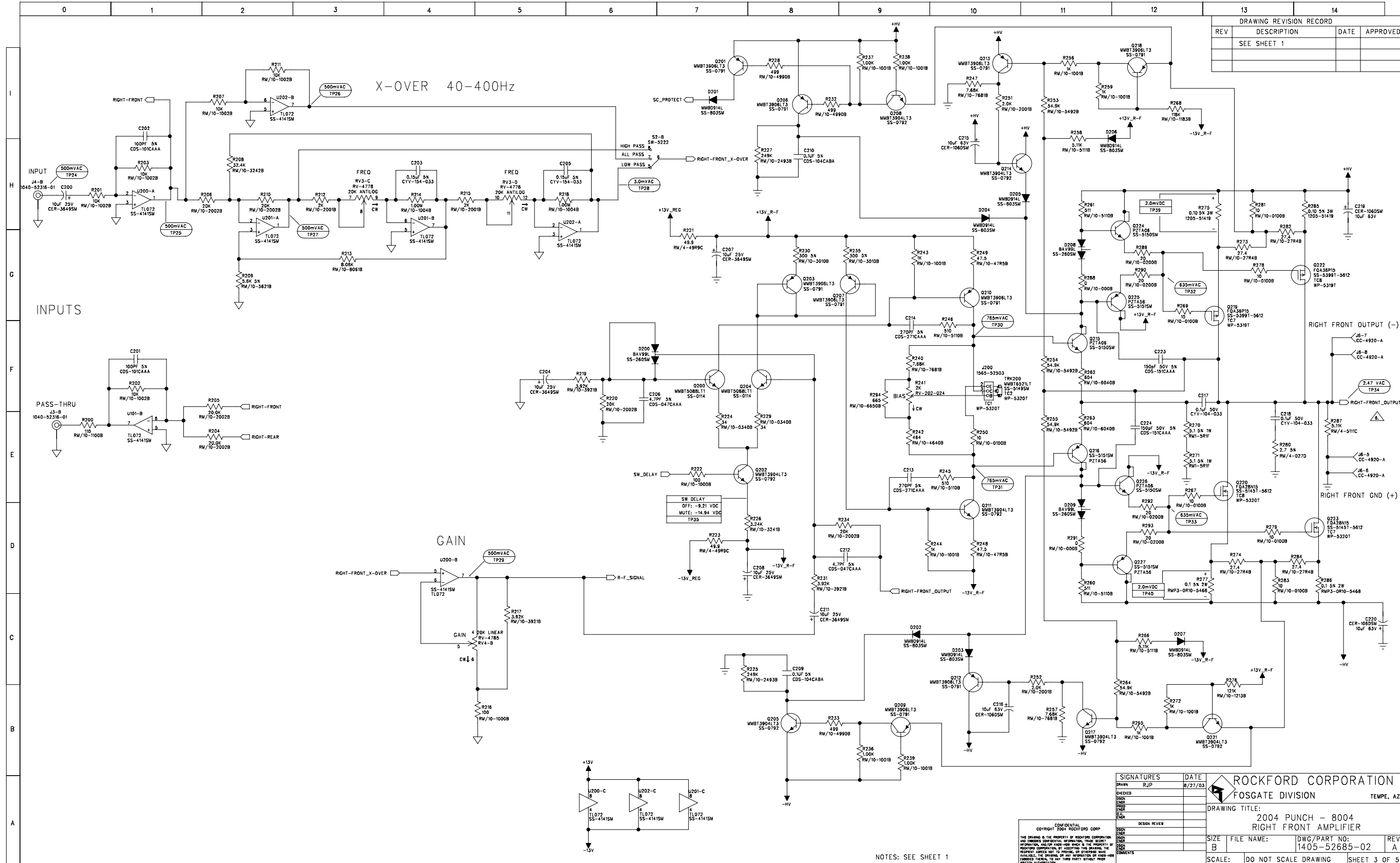


I  
H  
G  
F  
E  
D  
C  
B  
A

NOTES: SEE SHEET 1

SIGNATURES		DATE	<b>ROCKFORD CORPORATION</b> FOSGATE DIVISION TEMPE, AZ
DRAWN	RJP	8/27/03	
CHECKED			DRAWING TITLE: <b>2004 PUNCH - 8004</b> <b>LEFT FRONT AMPLIFIER</b>
DESIGN			
FILED			FILE NAME: <b>DWG/PART NO:</b> <b>1405-52685-02</b>
DESIGN REVIEW			
SCALE:	DO NOT SCALE DRAWING		REV A
			SHEET 2 OF 5

DRAWING REVISION RECORD			
REV	DESCRIPTION	DATE	APPROVED
1	SEE SHEET 1		

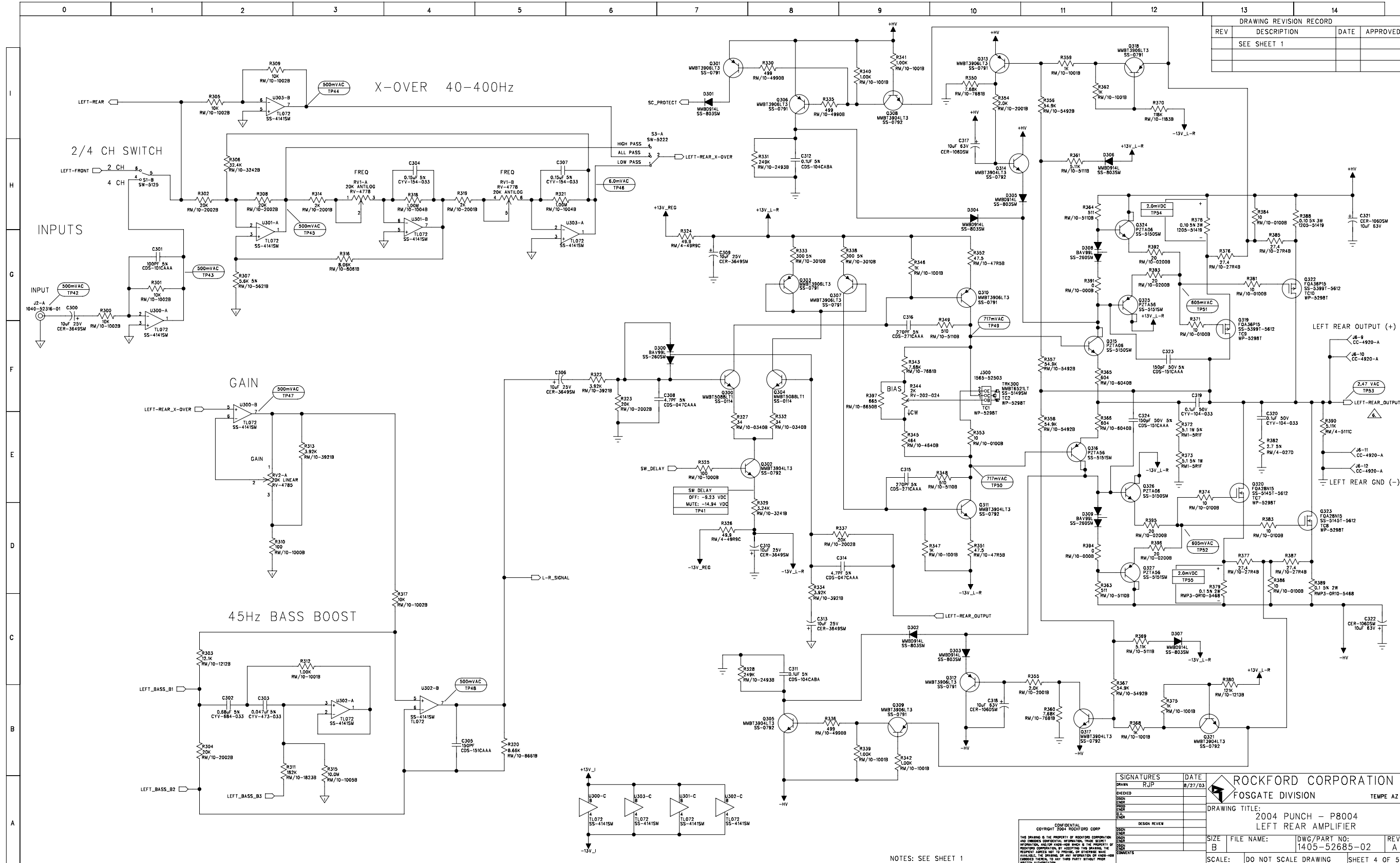


SIGNATURES		DATE	<b>ROCKFORD CORPORATION</b> FOSGATE DIVISION TEMPE, AZ
DRAWN	RJP	8/27/03	
CHECKED			DRAWING TITLE: <b>2004 PUNCH - 8004</b> <b>RIGHT FRONT AMPLIFIER</b>
DESIGN			
TEST			
FILE			
FILE NAME: 1405-52685-02			DWG/PART NO: 1405-52685-02
SCALE: DO NOT SCALE DRAWING			REV A
			SHEET 3 OF 5

THIS DRAWING IS THE PROPERTY OF ROCKFORD CORPORATION. IT IS UNLAWFUL TO REPRODUCE, COPY, OR TRANSMIT IN ANY MANNER WITHOUT THE WRITTEN PERMISSION OF ROCKFORD CORPORATION. ANY UNAUTHORIZED USE OF THIS DRAWING IS PROHIBITED AND WILL BE PROSECUTED TO THE FULL EXTENT OF THE LAW.

NOTES: SEE SHEET 1

DRAWING REVISION RECORD			
REV	DESCRIPTION	DATE	APPROVED
1	SEE SHEET 1		

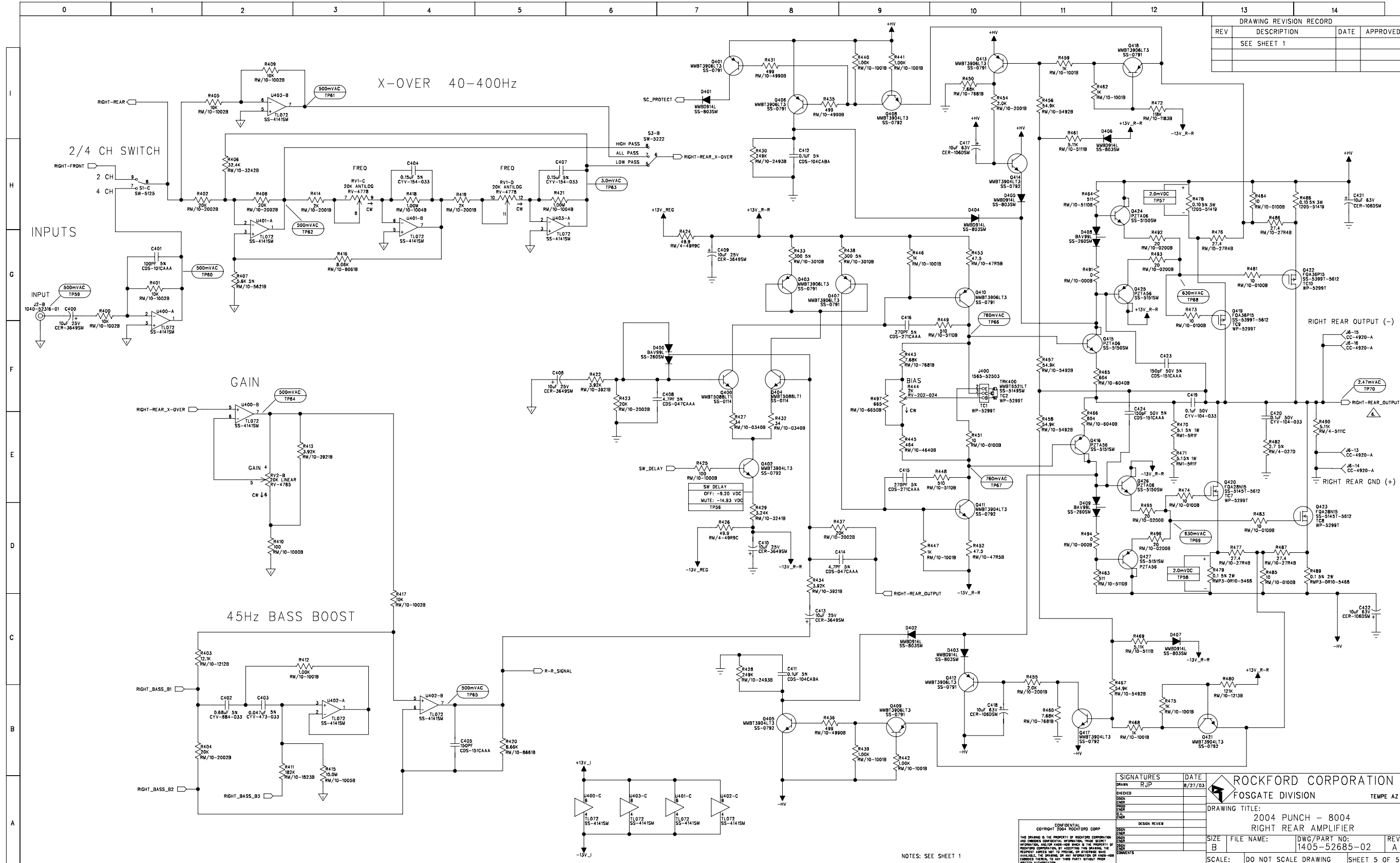


SIGNATURES		DATE	<b>ROCKFORD CORPORATION</b> FOSGATE DIVISION TEMPE AZ
DRAWN	RJP	8/27/03	
CHECKED			DRAWING TITLE: <b>2004 PUNCH - P8004</b> <b>LEFT REAR AMPLIFIER</b>
DESIGN			
FILED			SIZE FILE NAME: B 1405-52685-02
DESIGN REVIEW			
DWG/PART NO: 1405-52685-02			REV A
SCALE: DO NOT SCALE DRAWING			SHEET 4 OF 5

NOTES: SEE SHEET 1

CONFIDENTIAL  
 COPYRIGHT 2004 ROCKFORD CORP.  
 THIS DRAWING IS THE PROPERTY OF ROCKFORD CORPORATION. IT IS UNLAWFUL TO REPRODUCE, COPY, OR TRANSMIT IN ANY MANNER WITHOUT THE WRITTEN PERMISSION OF ROCKFORD CORPORATION.

DRAWING REVISION RECORD			
REV	DESCRIPTION	DATE	APPROVED
1	SEE SHEET 1		



SIGNATURES		DATE	<b>ROCKFORD CORPORATION</b> FOSGATE DIVISION TEMPE AZ
DRAWN: RJP		8/27/03	
CHECKED:	DESIGN:	DATE:	DRAWING TITLE: <b>2004 PUNCH - 8004</b> <b>RIGHT REAR AMPLIFIER</b>
DESIGN:	DESIGN REVIEW:		
THIS DRAWING IS THE PROPERTY OF ROCKFORD CORPORATION. IT IS TO BE KEPT IN CONFIDENTIALITY AND NOT TO BE REPRODUCED OR DISCLOSED TO ANY OTHER PARTY WITHOUT THE WRITTEN AUTHORIZATION OF ROCKFORD CORPORATION.			FILE NAME: 1405-52685-02
NOTES: SEE SHEET 1			DWG/PART NO: 1405-52685-02
SCALE: DO NOT SCALE DRAWING			REV A
SHEET 5 OF 5			